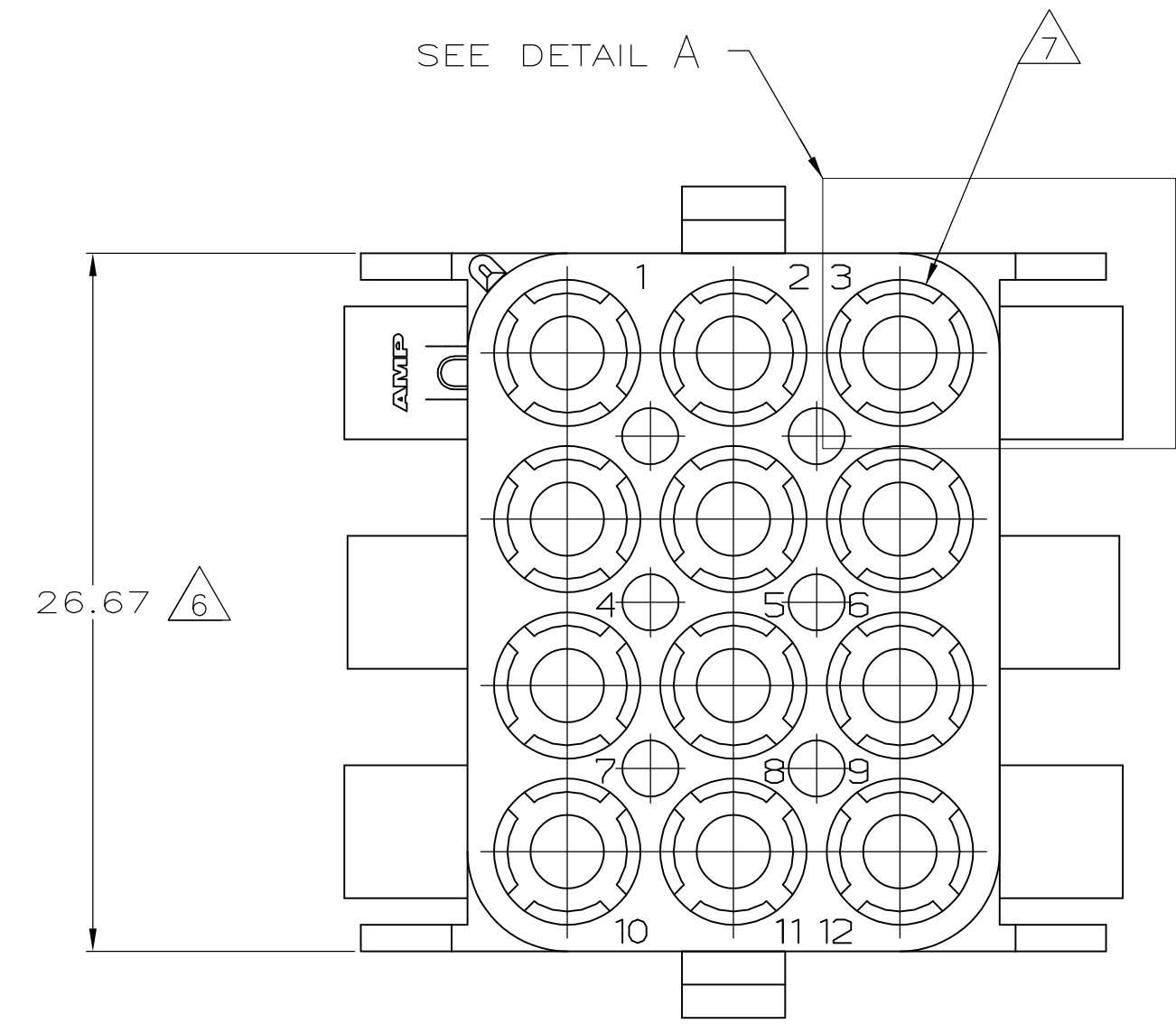
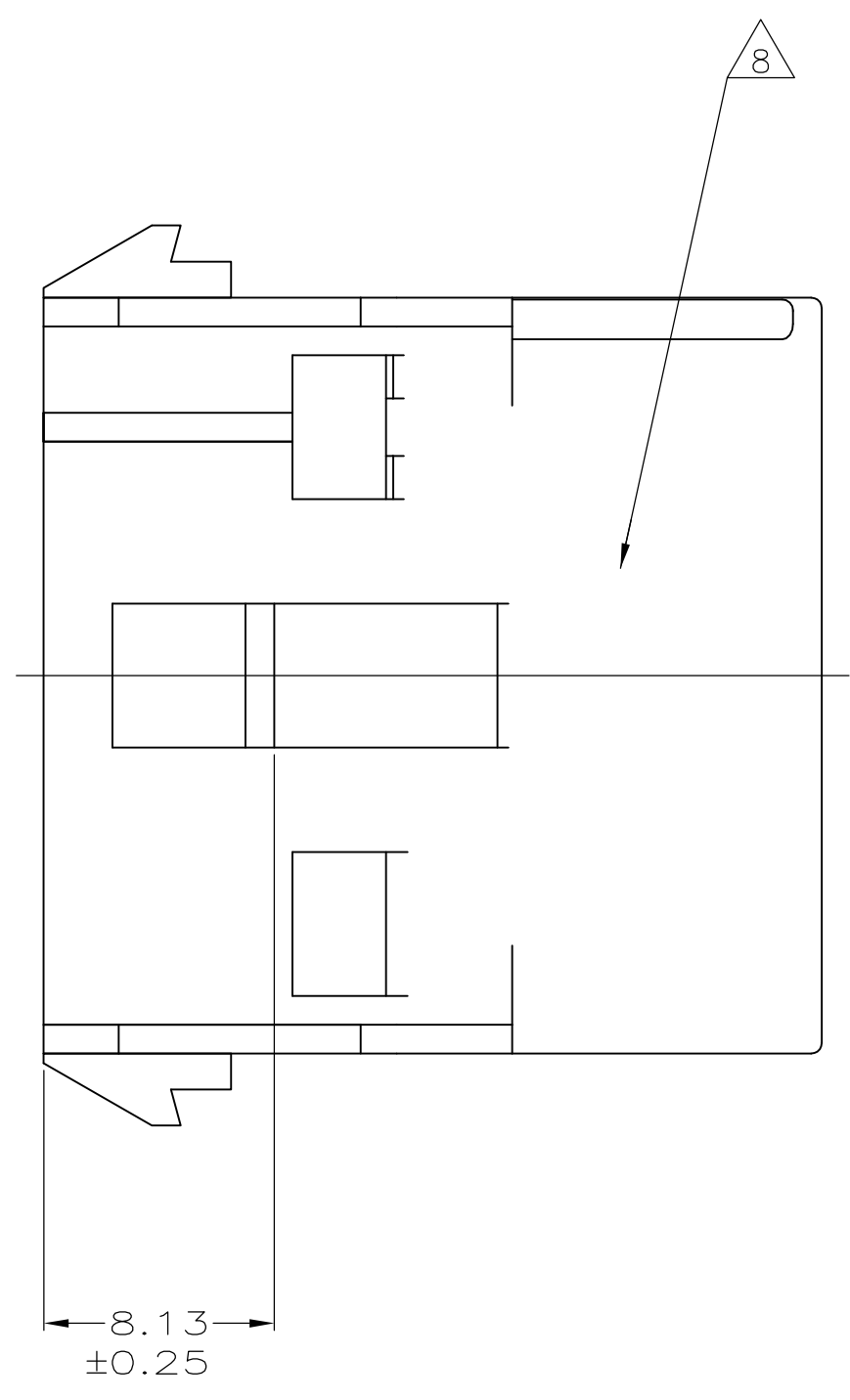
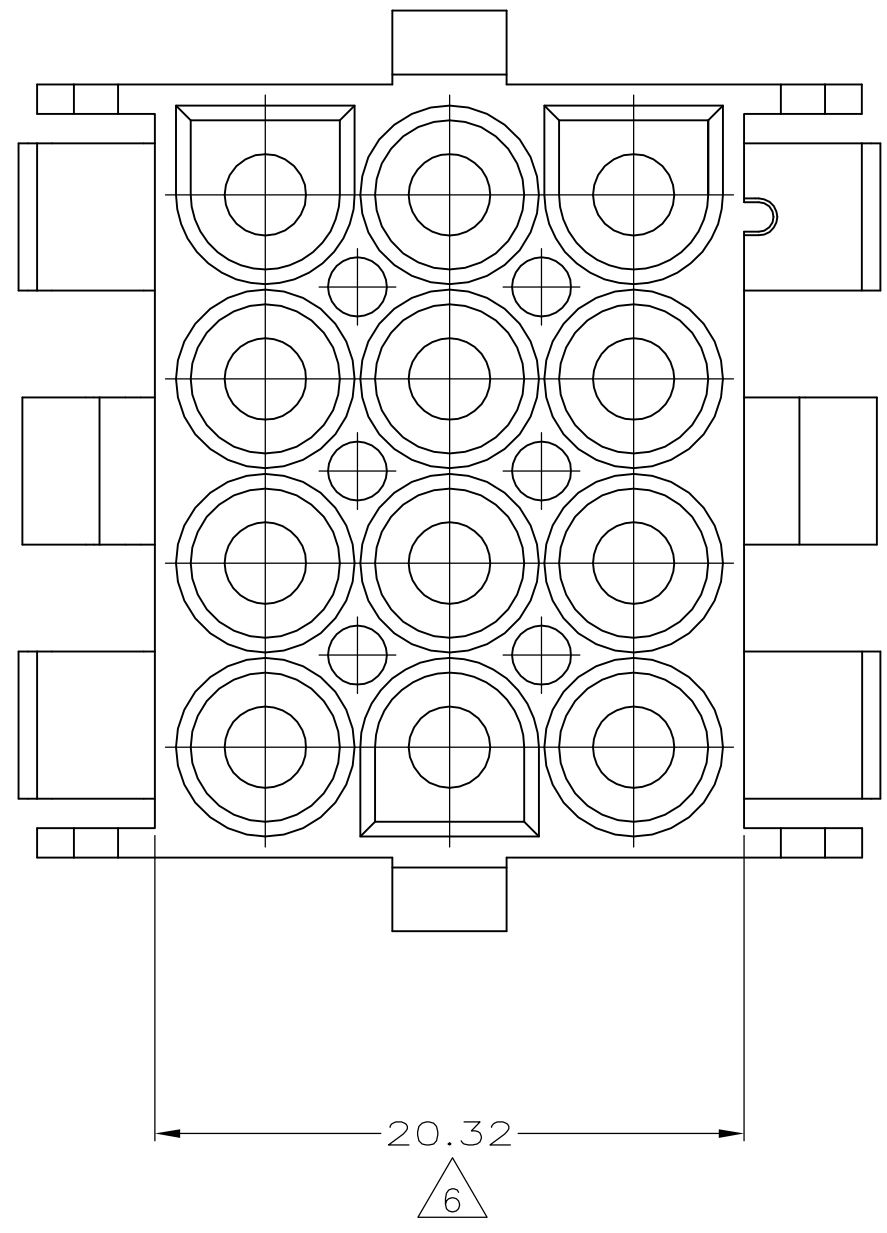
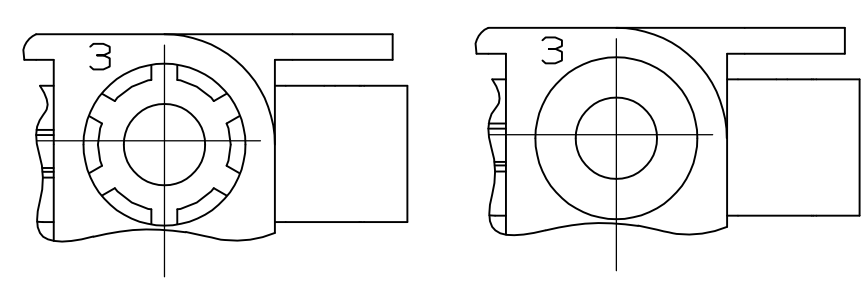


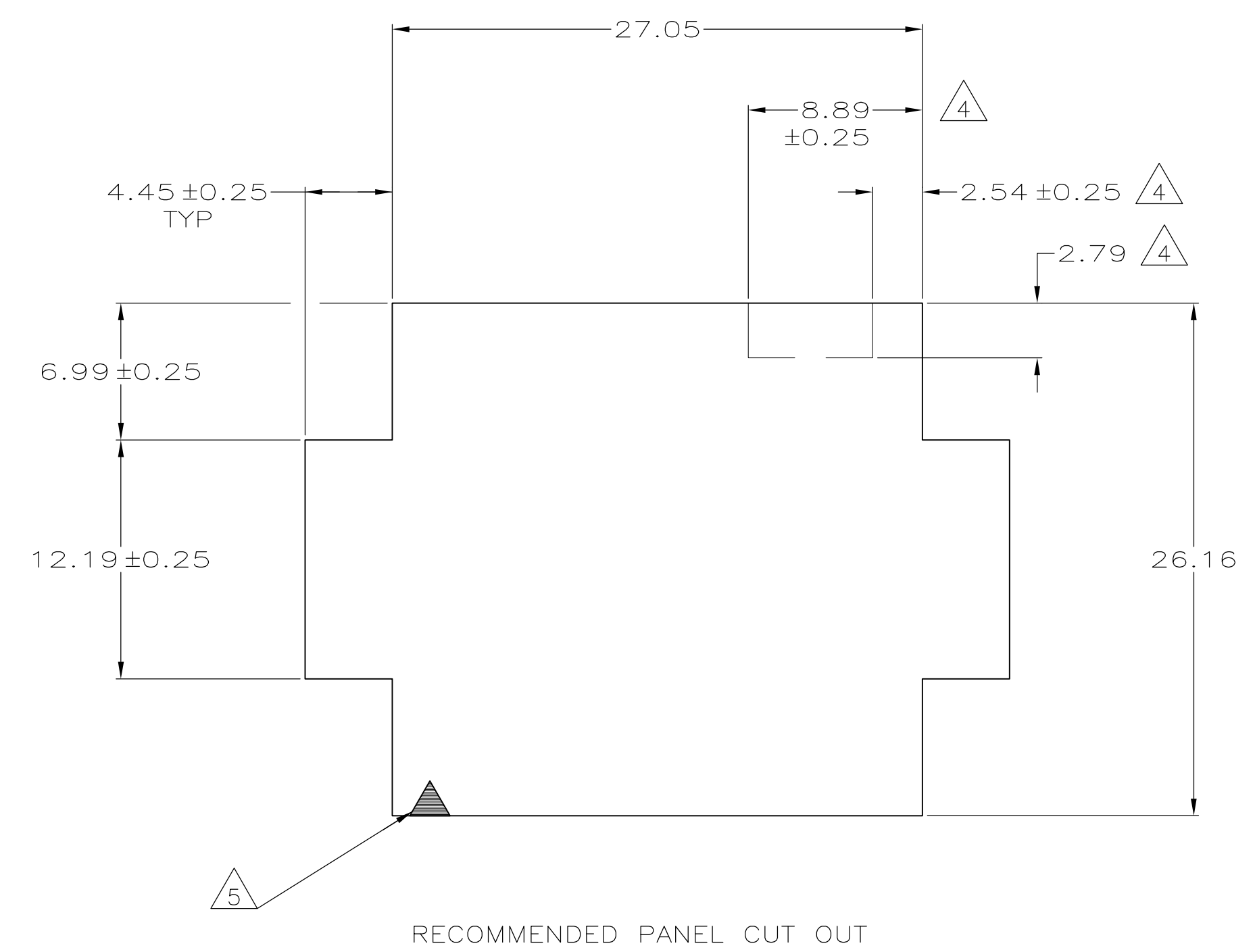
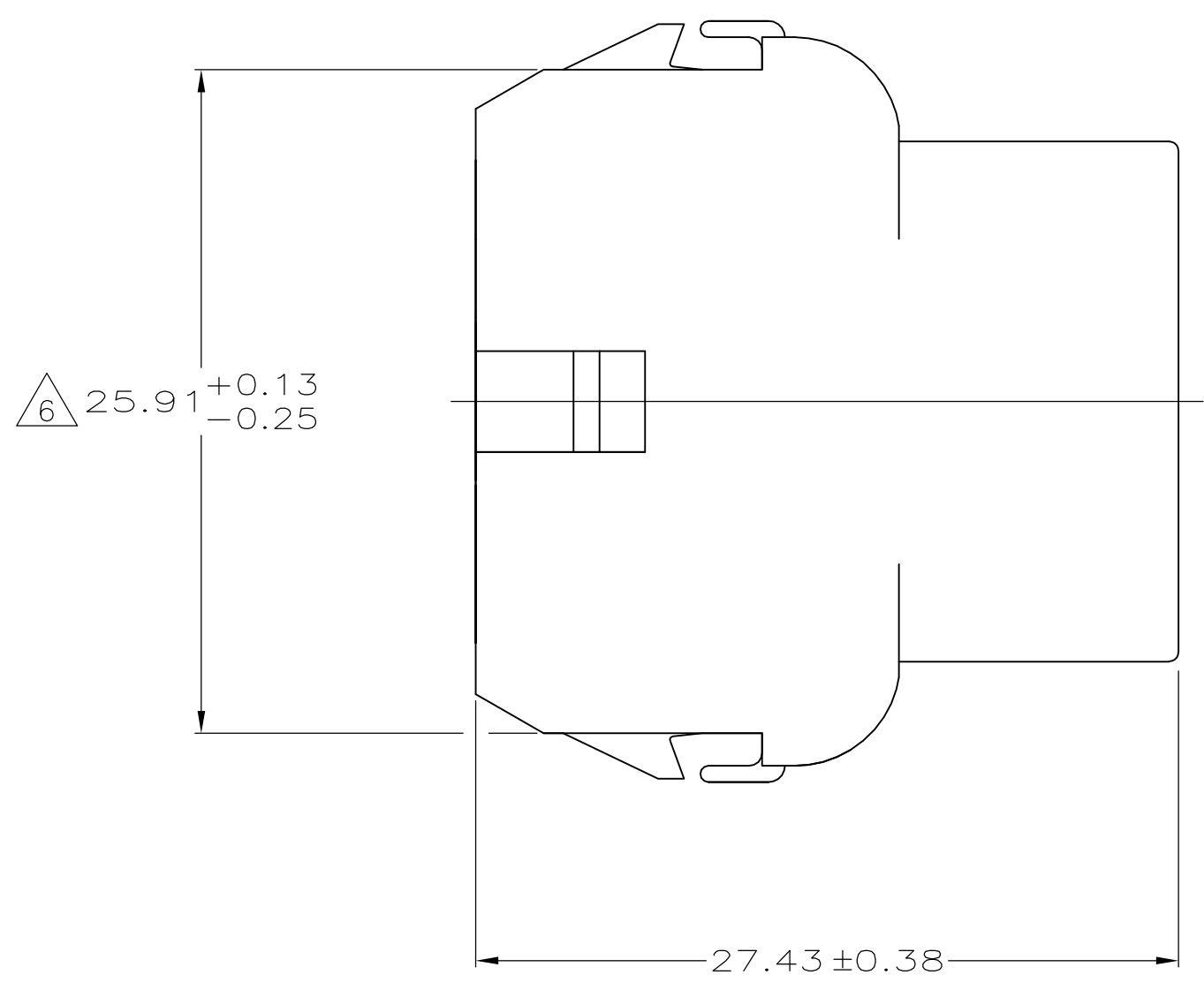
LOC		DIST		REVISIONS			
P	LR	DESCRIPTION	DATE	OWN	APPD		
A1		REVISED PER ECO-08-022511	11SEP08	HMR	DC		



- 1 MATES WITH APPROPRIATE UNIVERSAL MATE-N-LOK™ PLUG.
- 2 RECOMMENDED PANEL THICKNESS 0.76 - 2.29.
- 3 PANEL MUST BE PUNCHED SO THAT THE HOUSING ENTERS THE PANEL IN THE SAME DIRECTION AS THE PUNCH.
- 4 OPTIONAL FOR KEYING HOUSING IN PANEL.
- 5 CIRCUIT NUMBER 1 LOCATION.
- 6 DIMENSION INDICATED IS AS MOLDED. ADDITIONAL GROWTH DUE TO SUBSEQUENT MOISTURE ABSORPTION MAY OCCUR.
- 7 FOUR RIBS EQUALLY SPACED, NO SPECIFIC ORIENTATION. NO RIBS OR SIX RIBS EQUALLY SPACED, NO SPECIFIC ORIENTATION, OPTIONAL.
- 8 UNDERWRITERS RECOGNIZED COMPONENT LOGO AND CSA CERTIFICATION LOGO TO BE LOCATED ONCE EACH ON SIDE OF HOUSING.
- 9 150° C TEMPERATURE RATING FOR THIS HOUSING IS FOR SHORT TERM DURATION. MAX OPERATING TEMPERATURE REMAINS 125° C.
- 10 PHOSPHOR BRONZE CONTACTS SHOULD ALWAYS BE USED WITH THIS HOUSING.



DETAIL A
OPTIONAL CONSTRUCTION



RECOMMENDED PANEL CUT OUT

MM	IN	MM	IN
6.99	.275	27.43	1.080
4.45	.175	27.05	1.065
2.79	.110	26.67	1.050
2.54	.100	26.16	1.030
2.29	.090	25.91	1.020
0.76	.030	20.32	.800
0.38	.015	12.19	.480
0.25	.010	8.89	.350
0.13	.005	8.13	.320
MM	IN	MM	IN

CONVERSION TABLE

METRIC

THIS DRAWING IS A CONTROLLED DOCUMENT. DWN: K. WHITAKER 5-28-92
 CHK: R. SWING 5-28-92
 APVD: D. SELF 6-2-92

Tyco Electronics Corporation
 Harrisburg, PA 17105-3608

CAP.12 CIRCUIT,
 UNIVERSAL MATE-N-LOK™ TM

MATERIAL: NYLON, UL 94V-2, HIGH TEMP, BLACK
 FINISH: -

SIZE: A1
 CAGE CODE: 00779
 DRAWING NO: 794727

SCALE: 4:1
 SHEET: 1 OF 1
 REV: A1

794727-1
 PART NO